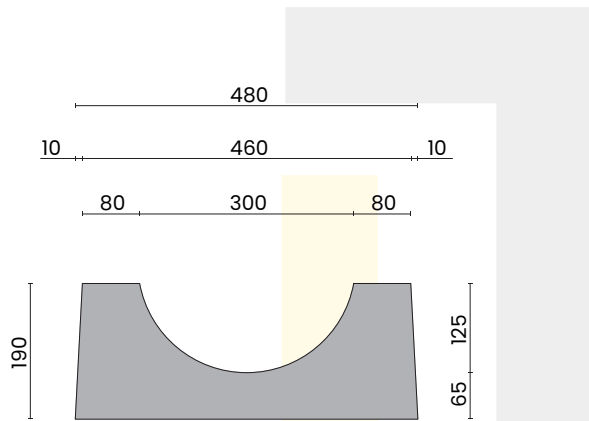


WATER CHANNEL W4

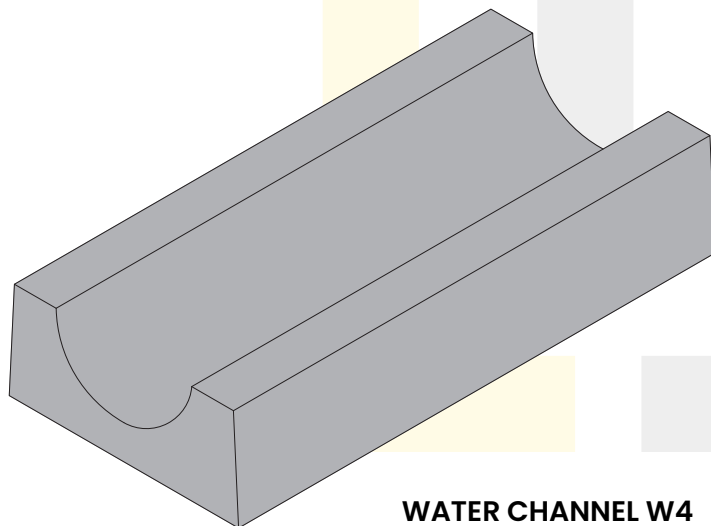
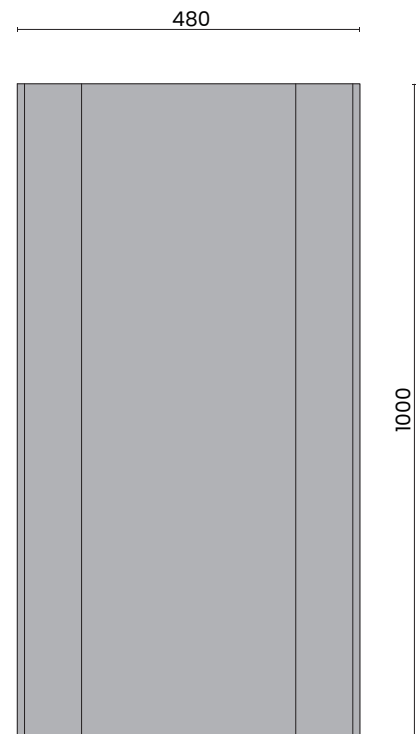
WATER CHANNEL W4

LENGTH : 1000 mm
WEIGHT PER UNIT: 128 kg
CONCRETE MIX: 30 MPa
REINFORCING: Un-reinforced



W4 SIDE PROFILE

LAYOUT



**WATER CHANNEL W4
(ISO-METRIC VIEW)**